

DALLARA 324 SPECIFICATION FORM

1 GENERAL

101 MANUFACTURER

Dallara

102 MODEL

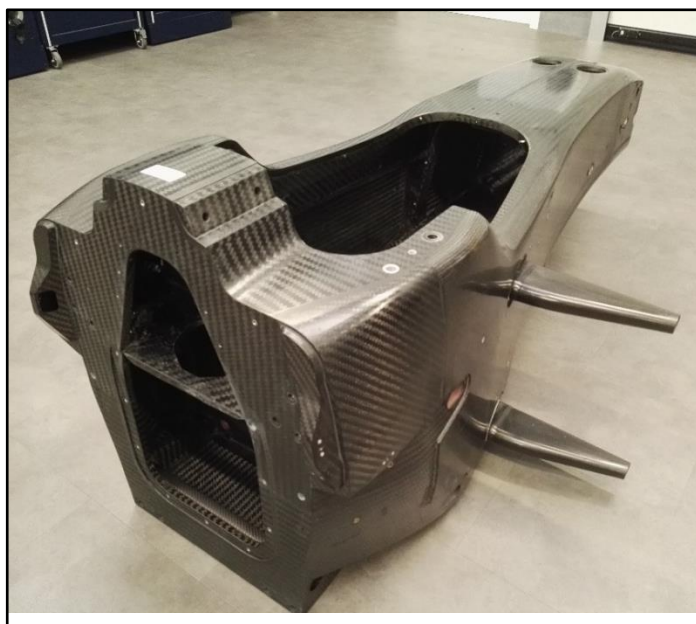
324

2 SAFETY STRUCTURES

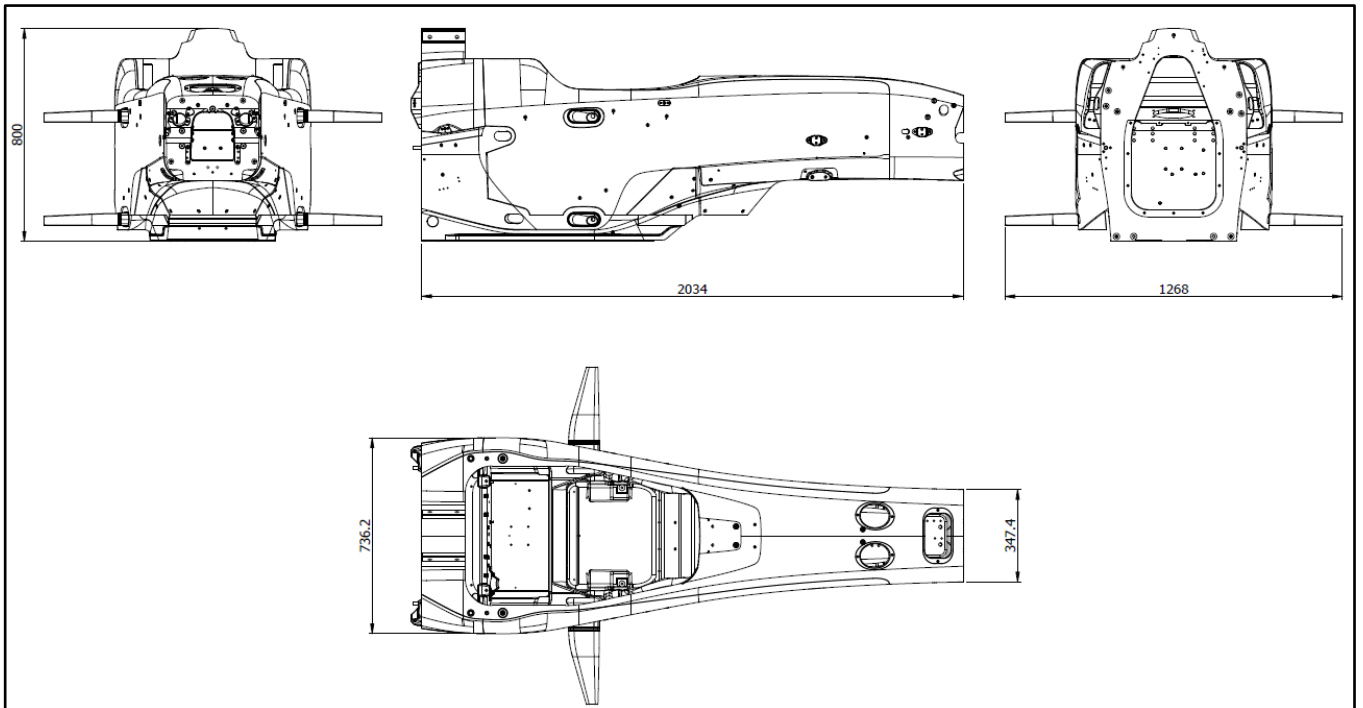
201 SURVIVAL CELL

- a) TYPICAL serial number: 320 - 001
- b) Nominal Weight: As supplied, it may be increased by authorized repair

Survival Cell



Survival Cell - **Main Dimensions**



202 HEAD REST

- a) Nominal Weight: As supplied
- b) Comment: Rear surface may be grinded to allow installation of additional roll structure

Head Rest - **Unmounted**



203 MAIN ROLL HOOP

- a) Nominal Weight: 2,030 [kg]
- b) Height above survival cell: 151 [mm] (measured at the car centerline)
- c) Fixation bolts: 4 x ½" 20UNF

Main Roll Hoop - **Unmounted**



Main Roll Hoop - **Mounted**



203-a HALO

- a) Halo Ti 3B

Halo - **Mounted**



204 EXTRACTABLE SEAT

- a) Nominal Weight: As supplied
- b) Comment: Edges may be trimmed for installation, structural integrity may not be compromised, belts may be extended

Extractable Seat - **Unmounted**



205 FIRE EXTINGUISHER

- a) Type: Ecolife AFFF Family
- b) Total Capacity: 1,3 [l]
- c) FIA Homologation EX.036.11

Fire Extinguisher - **Unmounted**



206 LEG PADDING ASSEMBLY

- a) Nominal Weight: 1,870 [kg]
- b) Comment: may be shortened for small driver in a way that the leg padding covers up to 100mm behind the face of the rearmost pedal when in the inoperative position.



3. **BODYWORK**

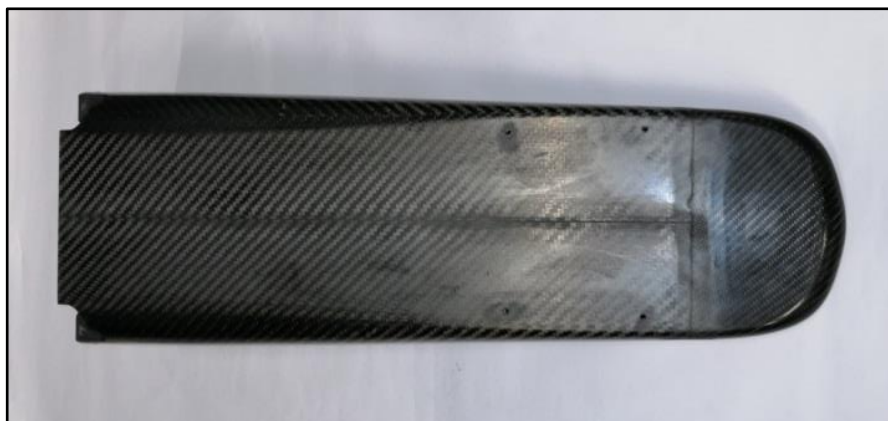
301 FRONT CRASH STRUCTURE

- a) Nominal Weight (incl. Supports): 4,650 [kg]
- b) Fixation bolts: 4 x M8

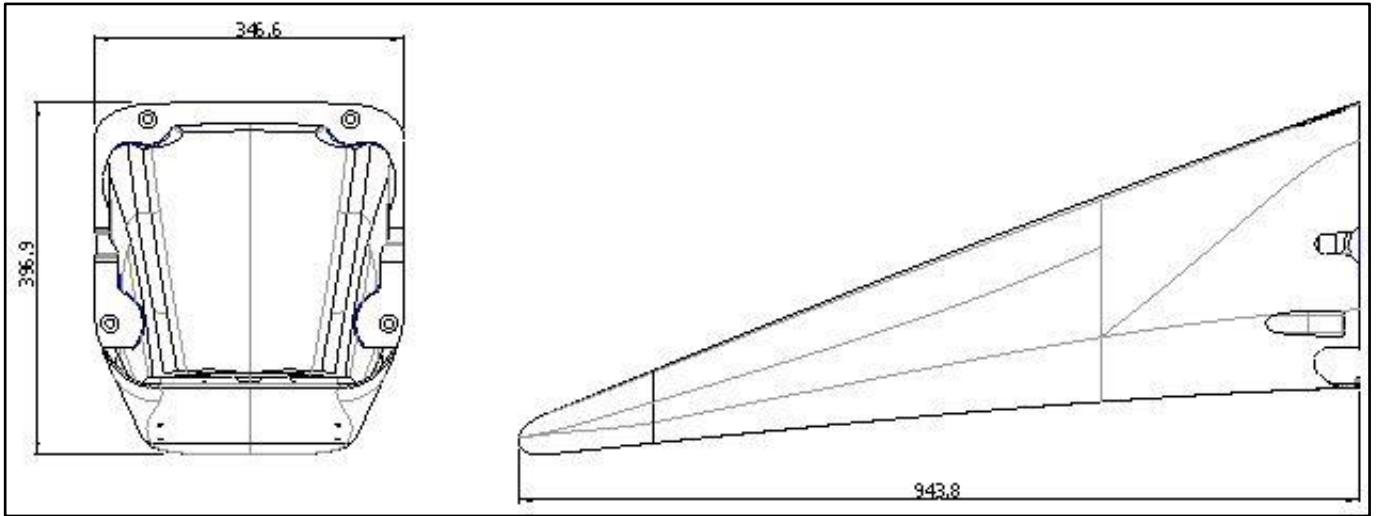
Front Crash Structure (+Wing) - **Mounted**



Front Crash Structure - **Unmounted**



Front Crash Structure – **Main Dimensions**



302 FRONT WING MAIN PLANE

a) Nominal Weight: 3,578 [kg]

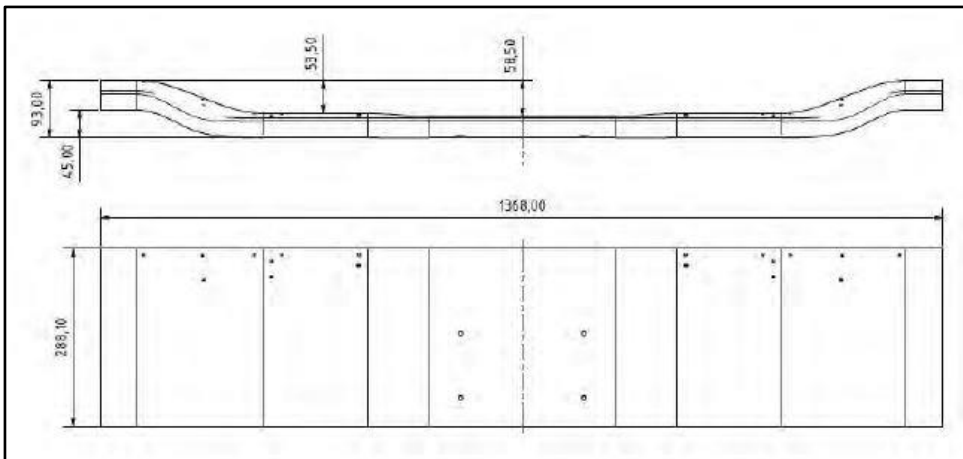
Front Wing - **Unmounted**



Front Wing - **Unmounted**



Front Wing – **Main Dimensions**

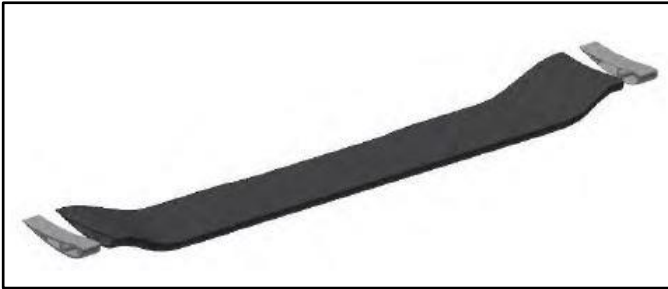


302a FRONT WING MAIN PLANE (OPTION)

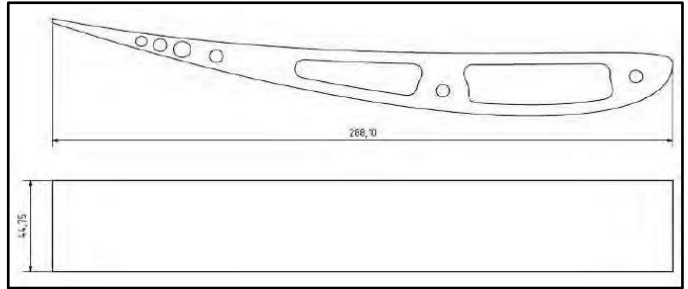
a) Nominal Weight of mainplane: 3,044 [kg]

b) Nominal Weight of Spacer: 0,217 [kg]

Front Wing End Spacer - **Unmounted**



Front Wing End Spacer - **Main Dimensions**



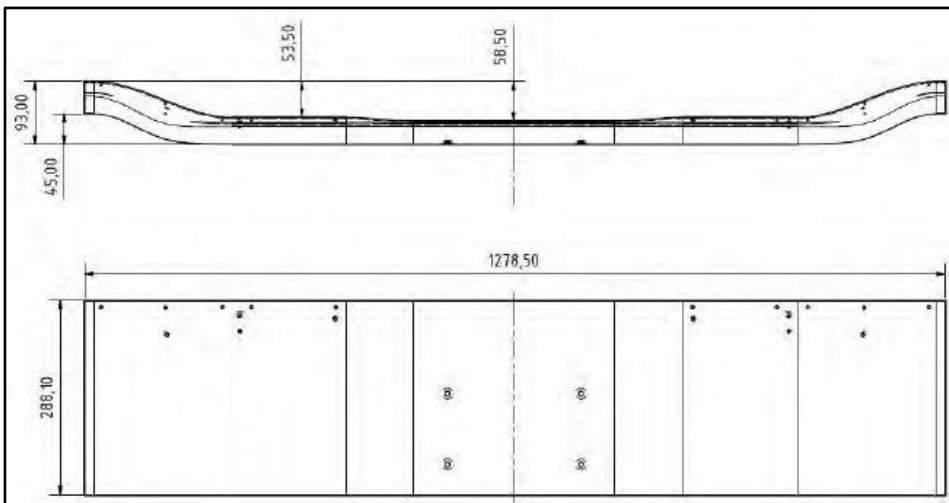
Front Wing - **Unmounted**



Front Wing - **Unmounted**



Front Wing Main Plane - **Main Dimensions**



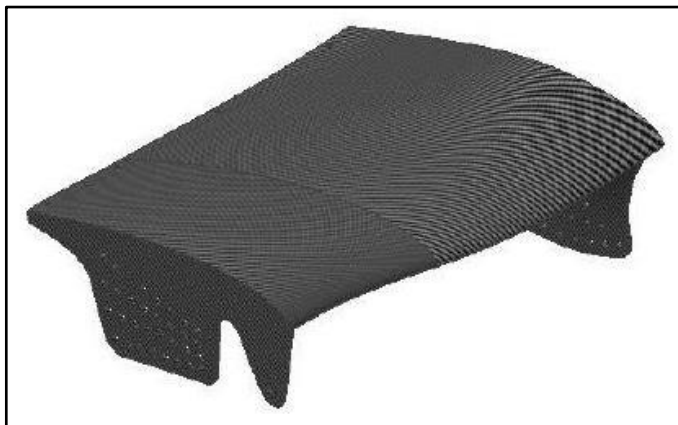
303 FRONT WING ADDITIONAL BODYWORK (OPTION)

- a) Nominal Weight: 0,327 [kg]
- b) Comment: HDF option without gurney

Front Wing Additional Bodywork - **Unmounted**



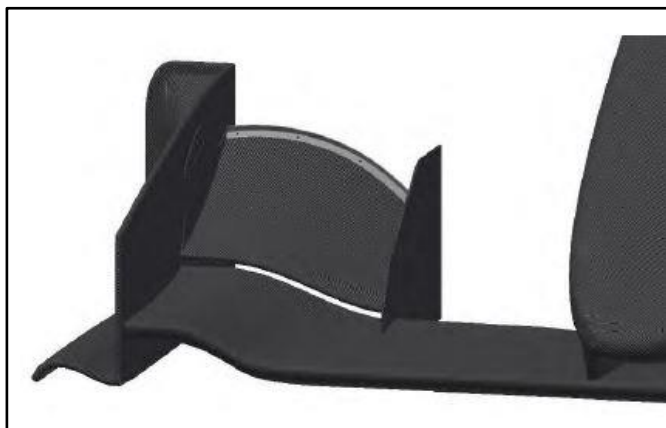
Front Wing Additional Bodywork - **Unmounted**



303a FRONT WING ADDITIONAL BODYWORK (OPTION)

- a) Nominal Weight: 0,327 [kg]
- b) Comment: HDF option with 10mm gurney

Front Wing Additional Bodywork - **Unmounted**



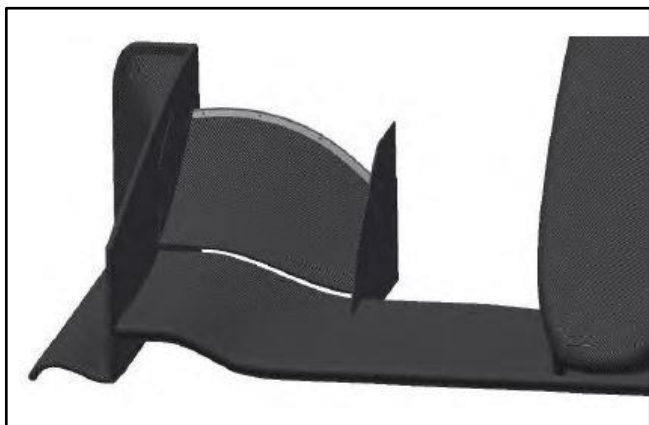
Front Wing Additional Bodywork - **Unmounted**



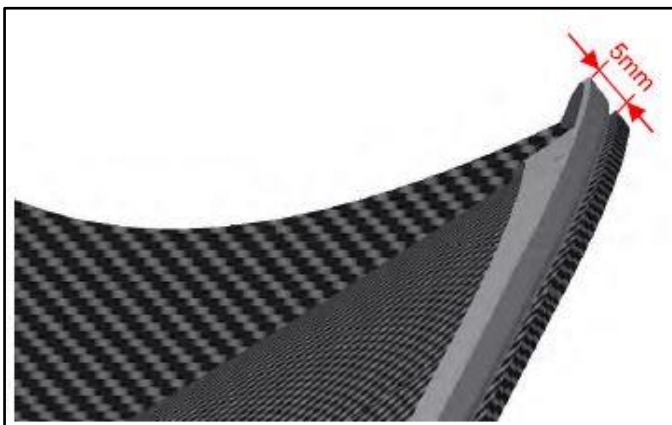
303b FRONT WING ADDITIONAL BODYWORK (OPTION)

- a) Nominal Weight: 0,327 [kg]
- b) Comment: HDF option with 5mm gurney

Front Wing Additional Bodywork - **Unmounted**



Front Wing Additional Bodywork - **Unmounted**



303c FRONT WING ADDITIONAL BODYWORK (OPTION)

- a) Nominal Weight: 0,191 [kg]
- b) Comment: HDF option with 5mm gurney

Front Wing Additional Bodywork - **Unmounted**



Front Wing Additional Bodywork - **Unmounted**



303d FRONT WING ADDITIONAL BODYWORK (OPTION)

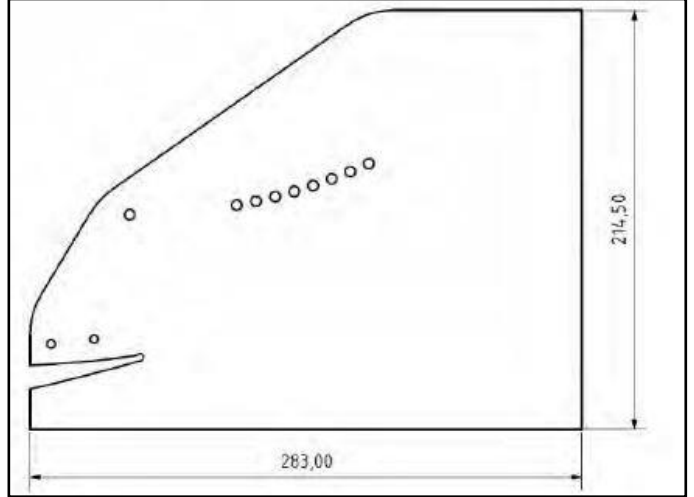
- a) Nominal Weight: 0,178 [kg]

- b) Comment: Adjustment slots may be added, bottom edge may be trimmed up to 3mm to bring part in legal condition

Front Wing Additional Bodywork - **Unmounted**



Front Wing Additional Bodywork - **Main Dimensions**



304 FRONT WING ENDPLATE

- a) Nominal Weight: 1,518 [kg]

Front Wing Endplate - **Unmounted**



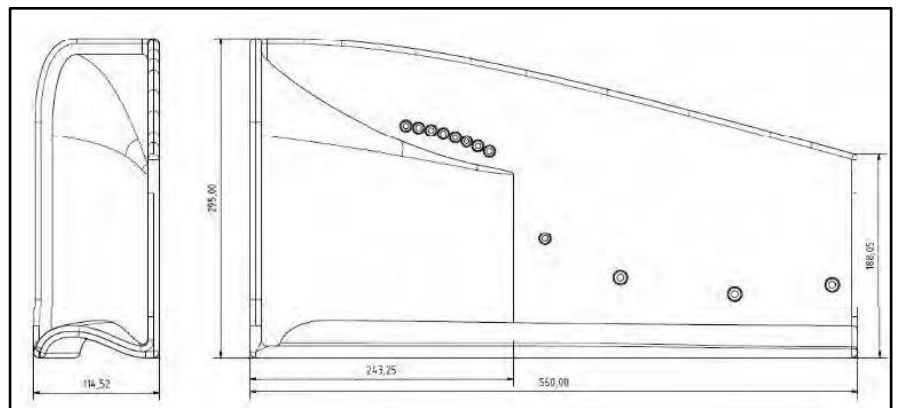
Front Wing Endplate - **Unmounted**



Front Wing Endplate - **Unmounted**



Front Wing Endplate - **Main Dimensions**



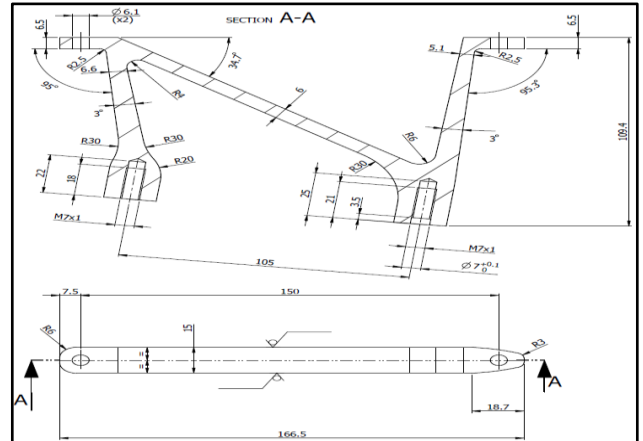
305 FRONT WING SUPPORT

- a) Nominal Weight: 0,127 [kg]
- b) Comment: may be grinded to conform the wing position to the regulation.

Front Wing Support - **Unmounted**



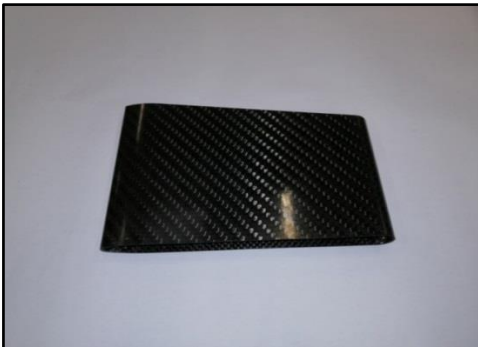
Front Wing Support – **Main Dimensions**



306 FRONT WING SUPPORT COVER

- a) Nominal Weight: As originally supplied
- b) May be repaired

Front Wing Support Cover - **Unmounted**



307 REAR CRASH STRUCTURE

- a) Nominal Weight: 2,450 [kg]
- b) Fixation Bolts: 6 x M8
- c) Comment: New jacking hook is mandatory

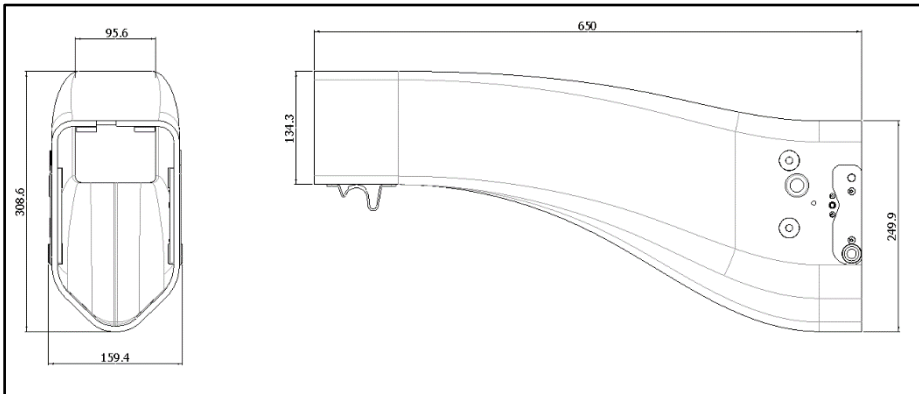
Rear Crash Structure - **Unmounted**



Rear Crash Structure - **Unmounted**



Rear Crash Structure - **Main Dimensions**



308 LOWER REAR WING AND SUPPORT

- a) Nominal Weight: 1,495 [kg]
- b) Comment: lateral end inserts can be secured with rivets and bonding agent if required.

Rear Wing and Support - **Unmounted**



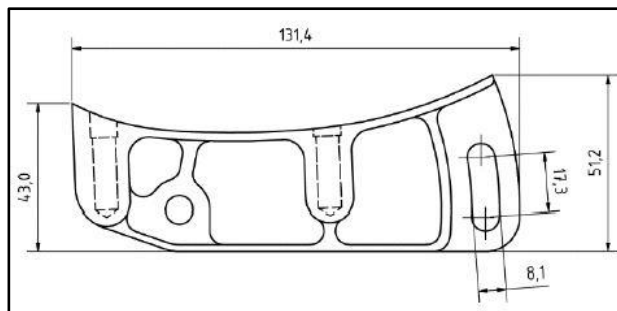
Rear Wing and Support - **Unmounted**



Rear Wing Support - **Unmounted**



Rear Wing Support - **Main Dimensions**



309 UPPER REAR WING – HDF (OPTIONAL)

- a) Nominal Weight HDF Upper Wing: 0,837 [kg]
- b) Nominal Weight Top Flap: 0,330 [kg]
- c) Nominal Weight HDF Sideplate: 0,110 [kg]
- d) HDF Gap Separator: Outer shape of gap separator may not be changed.
Angle of wings to each other may not be changed
- e) Comment: Trap nuts FCOM1289 may be replaced by standard fixation material

Upper Rear Wing Assembly - **Mounted**



Upper Rear Wing Assembly - **Mounted**



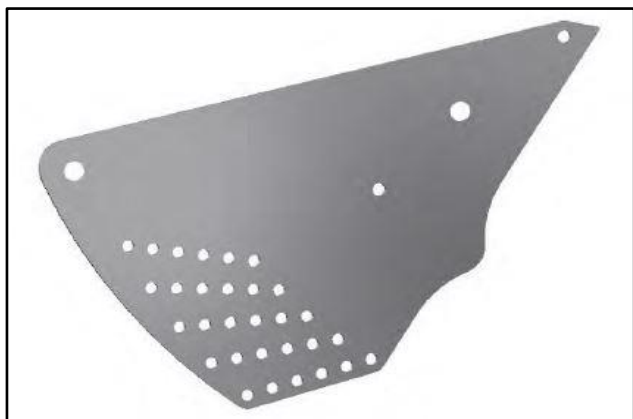
Top Flap - **Unmounted**



Top Flap - **Unmounted**



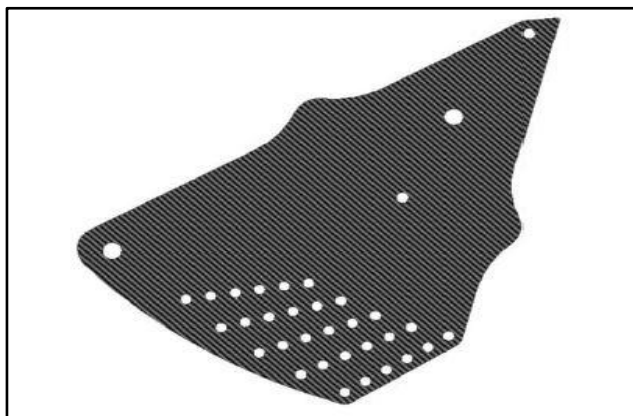
HDF Sideplate - **Unmounted**



HDF Gap Separator - **Unmounted**



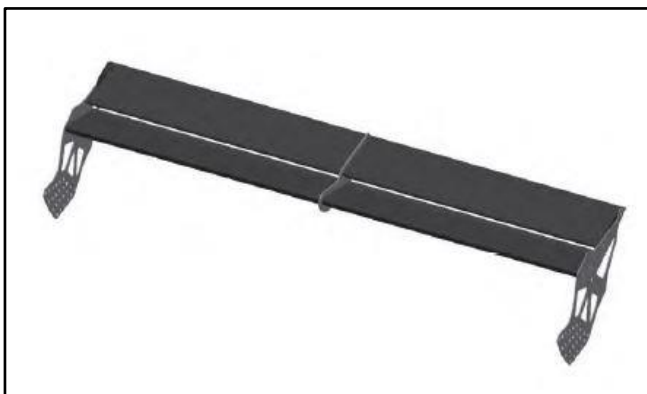
HDF Sideplate - **Unmounted (OPTIONAL)**



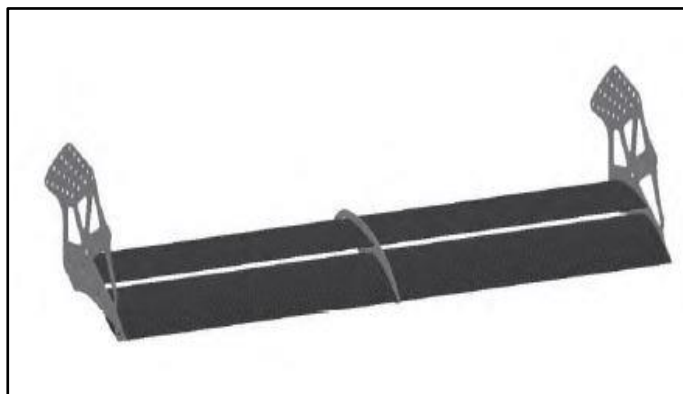
309a UPPER REAR WING – MDF (OPTIONAL)

- a) Nominal Weight Top Flap: 0,330 [kg]
- b) Nominal Weight Top Flap (Small Element): 0,258 [kg]
- c) Nominal Weight MDF Sideplate: 0,178 [kg]
- d) Nominal Weight MDF Sideplate Option: As supplied
- e) MDF Gap Separator: Outer shape of gap separator may not be changed.
Angle of wings to each other may not be changed
- f) Comment: Trap nuts FCOM1289 may be replaced by standard fixation material

Upper Rear Wing Assembly - **Mounted**



Upper Rear Wing Assembly - **Mounted**



Top Flap - **Unmounted**



Top Flap - **Unmounted**



Top Flap (Small Element) - **Unmounted**



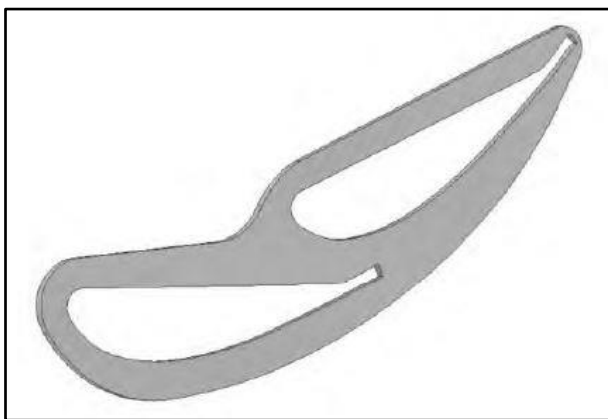
Top Flap (Small Element) - **Unmounted**



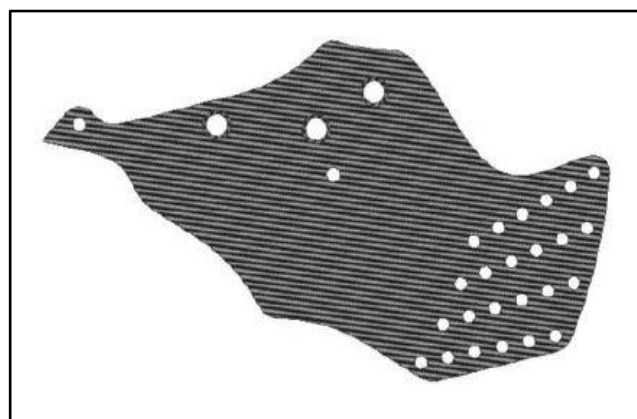
MDF Sideplate - **Unmounted**



MDF Gap Seperator - **Unmounted**



MDF Sideplate - **Unmounted (OPTIONAL)**



309b UPPER REAR WING – LDF (OPTIONAL)

- a) Nominal Weight Top Flap: 0,330 [kg]
- b) Nominal Weight LDF Sideplate: 0,058 [kg]
- c) Nominal Weight LDF Sideplate Option: As supplied
- d) Comment: Trap nuts FCOM1289 may be replaced by standard fixation material.
Fixation of LDF sideplate with one bolt to the endplate through the already existing slot is allowed

Upper Rear Wing Assembly - **Mounted**



Upper Rear Wing Assembly - **Mounted**



Top Flap - **Unmounted**



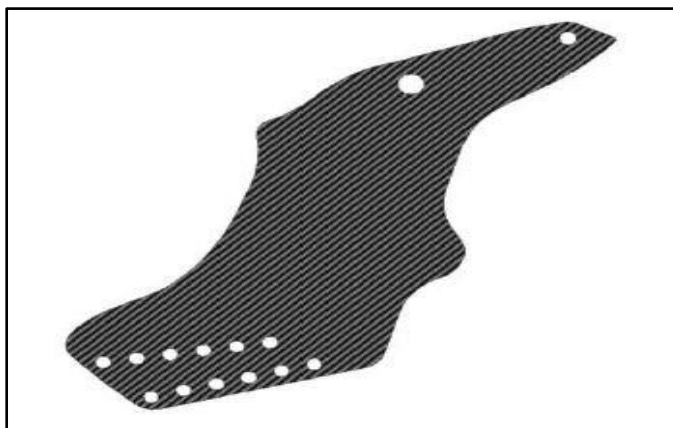
Top Flap - **Unmounted**



LDF Sideplate - **Unmounted**



LDF Sideplate - **Unmounted (OPTIONAL)**



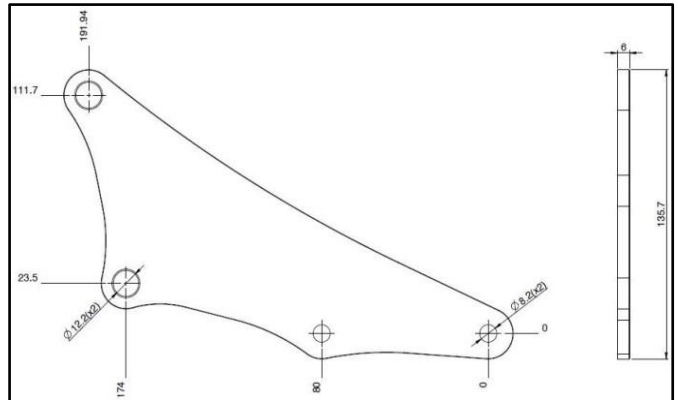
310 REAR WING SUPPORT II

- a) Nominal Weight: 0,203 [kg]
- b) Type: LDF
- c) Comment: the component can be obtained from the 317 part code 31227077 enlarging the holes as specified from the drawing.

Rear Wing Support - **Unmounted**



Rear Wing Support – **Main Dimensions**



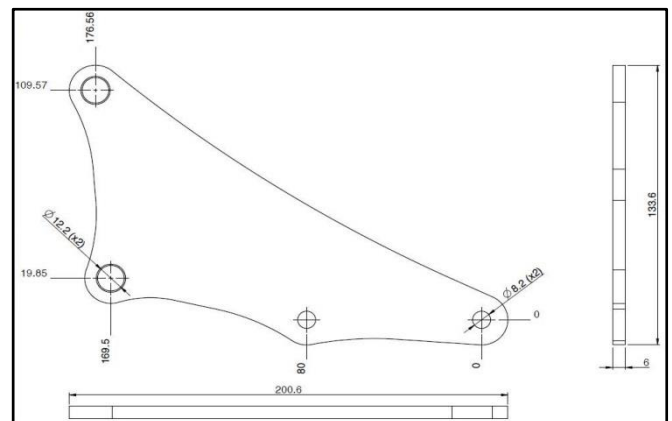
310a REAR WING SUPPORT II (OPTION)

- a) Nominal Weight: 0,200 [kg]
- b) Type: HDF
- c) Comment: the component can be obtained from the 317 part code 31227076 enlarging the holes as specified from the drawing above

Rear Wing Support - **Unmounted**



Rear Wing Support - **Main Dimensions**



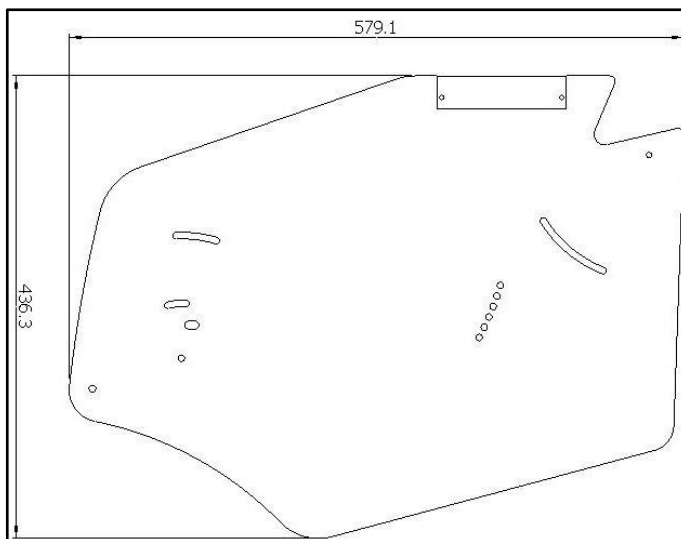
311 REAR WING ENDPLATE

a) Nominal Weight: 1,120 [kg]

Rear Wing Endplate - **Unmounted**



Rear Wing Endplate - **Main Dimensions**



312 UPPER BODYWORK

- a) Nominal Weight of Gearbox Cover: 0,601 [kg]
- b) Nominal Weight of Engine Cover: 1,800 [kg]
- c) Nominal Weight of Right Sidepod: 2,000 [kg]
- d) Nominal Weight of Left Sidepod: 2,000 [kg]
- e) Nominal Weight of Pod Wing: 0,295 [kg]
- f) Nominal Weight of Bargeboard: 0,135 [kg]
- g) Nominal Weight of Gearbox Side Cover: 0,129 [kg]
- h) Nominal Weight of Front Lower Wishbone Fairing: 0,072 [kg]
- i) Comment: May be trimmed to facilitate installation Gearbox cover may be trimmed for 3rd element installation.
Optional parts may be removed modifications are allowed only for the sole purpose of the installation of engine airbox and the associated intake manifold shroud.
Weight may be increased by repair.

a) Gearbox Cover - **Unmounted**



b) Engine Cover - **Unmounted**



c) Right Sidepod - **Unmounted**



NOTE: both DALLARA labels 32425098 and 32025048RH are fine for the side-pods due to the re-work from 320 to 324.

d) Left Sidepod - **Unmounted**



NOTE: both DALLARA labels 32425097 and 32025048LH are fine for the side-pods due to the re-work from 320 to 324.

e) Pod Wing - **Unmounted**



f) Bargeboard - **Unmounted**



g) Gearbox Side Cover - **Unmounted**



h) Front Lower Wishbone Fairing - **Unmounted**



dallara	32025064RH_1
	S/N: xxx
	WK / YEAR: ww/yyyy
	Supplier code: xxxx

313 RADIATOR DUCT

a) Nominal Weight of RH: 2,300 [kg]

b) Nominal Weight of LH: 1,330 [kg]

c) Comment: May be trimmed to facilitate installation, Weight may be increased by repair

a) Radiator Duct RH - **Unmounted**



dallara	
32425066R4	
PR122719-00002	
555	00071

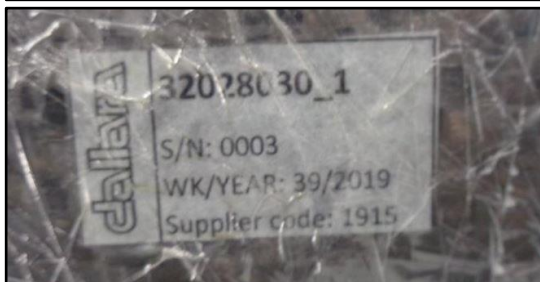
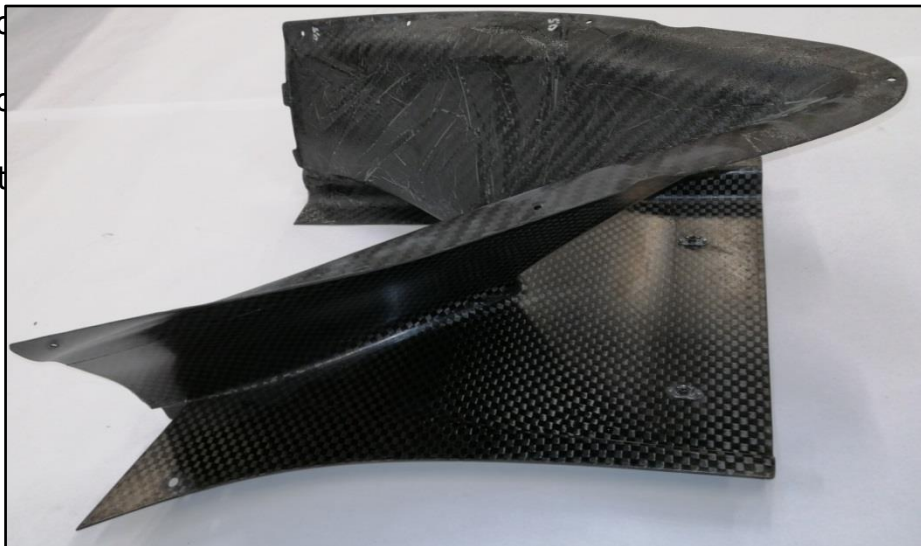
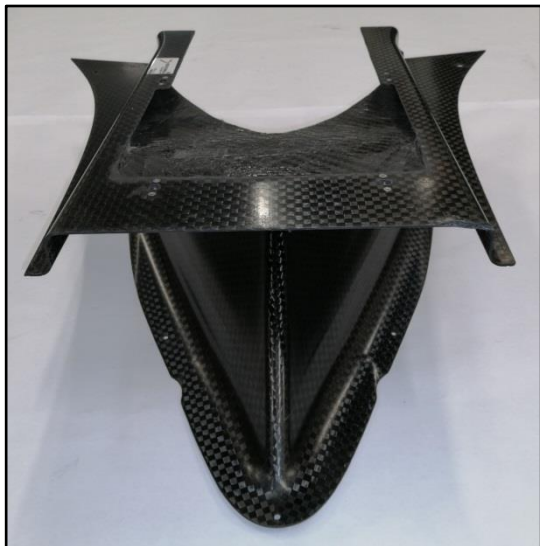
b) Radiator Duct LH - **Unmounted**



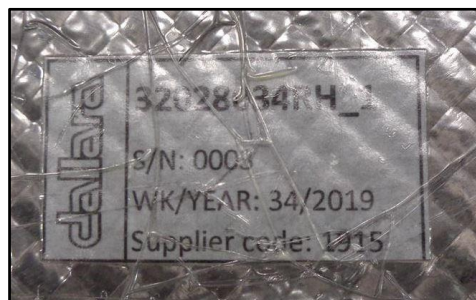
dallara	
PT32025057LHR1	
PR011094-00001	
555	00003

314 LOWER BODYWORK

- a) Nominal Weight of Chassis Keel: 0,945 [kg]
- b) Nominal Weight of Right Front Floor (\equiv Left): 2,02 [kg]
- c) Nominal Weight of Rear Floor and Diffusor: 5,670 [kg]



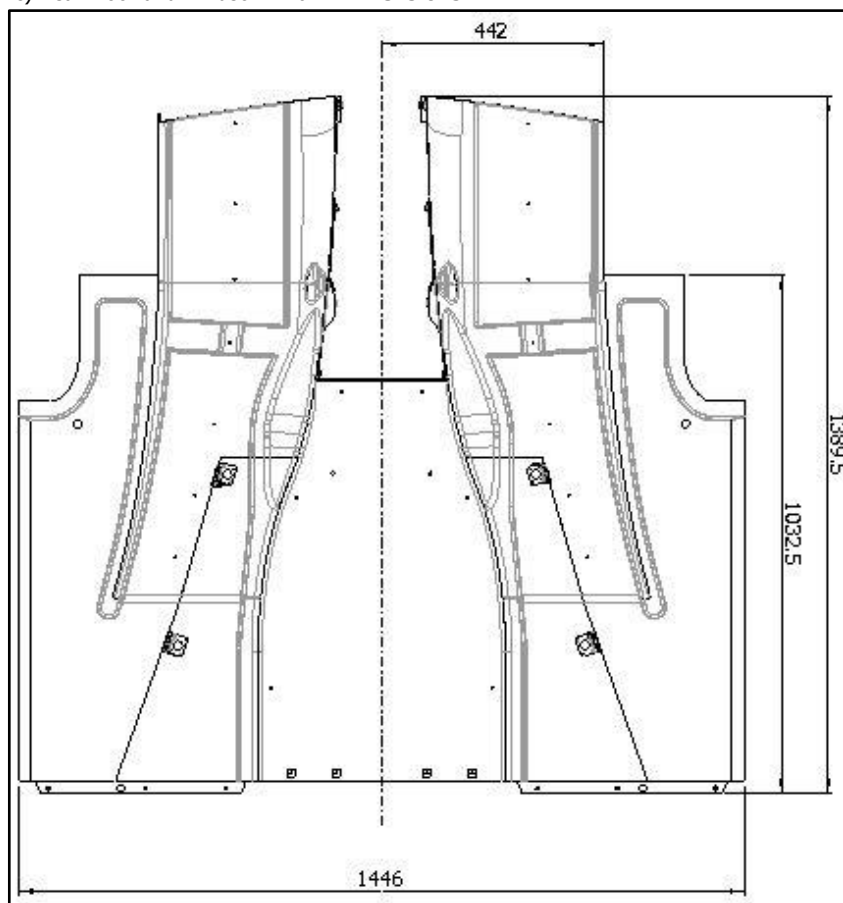
b) Front Floor - **Unmounted**



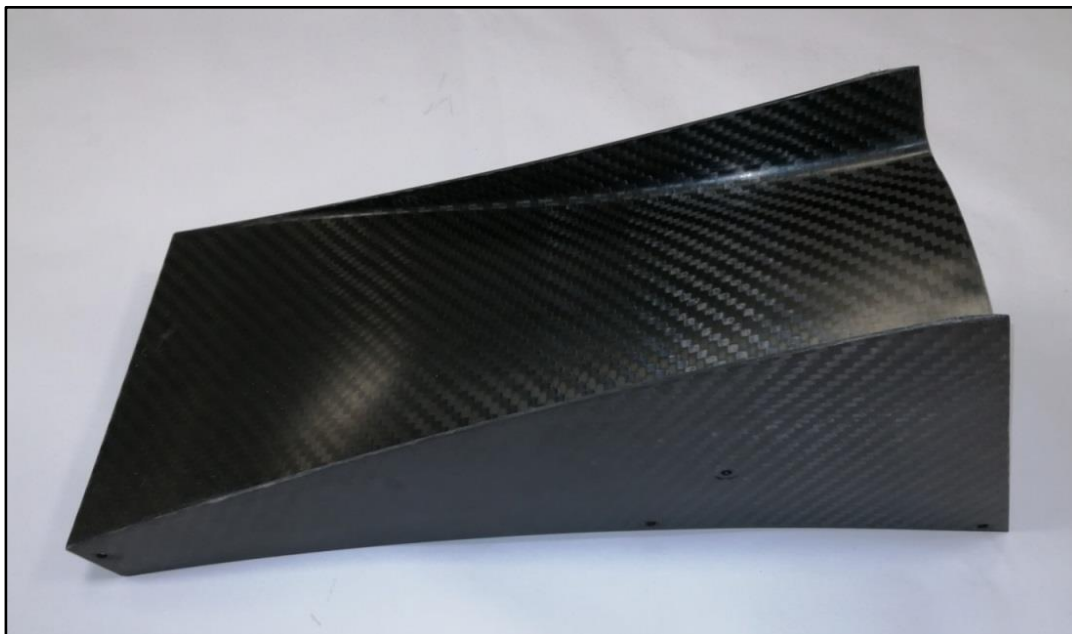
c) Rear Floor and Diffusor - **Unmounted**



c) Rear Floor and Diffusor - **Main Dimensions**



d) Rear Floor Extension - **Unmounted**



e) Rear Floor Fin - **Unmounted**



Comment: fin can be secure to the rear floor and diiffuser using indifferently screw and nut or rivet.

316 SKID BLOCK

- a) Number of parts: 2
- b) Nominal Weight of Front Skid Block: 3.680 [kg]
- c) Nominal Weight of Rear Skid Block: 2,150 [kg]
- d) Comment: - Standard fixation material may be added to attach the skid block to the wooden floor
- e) Comment: - Fixation of the skid to the floor can be indifferently screw and nut or trap nut.

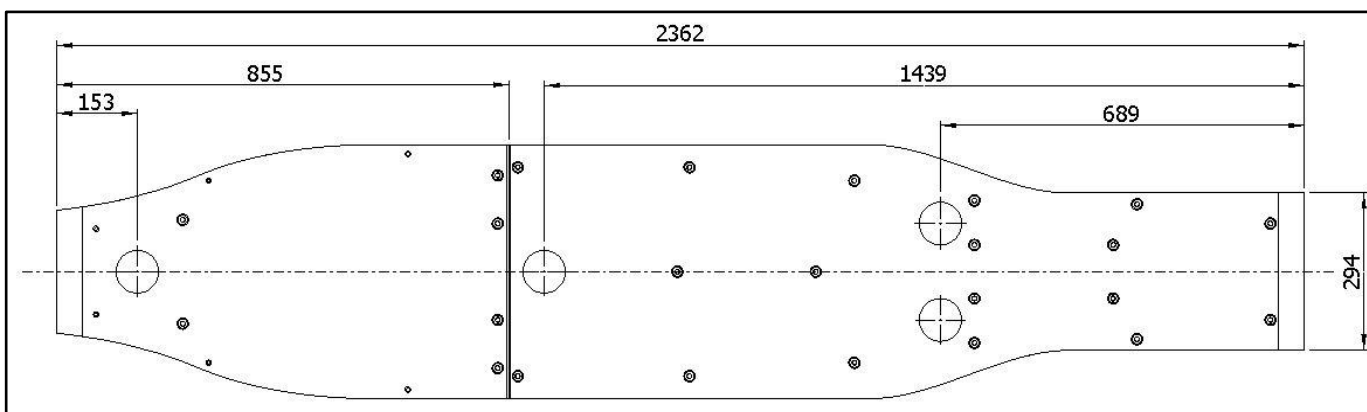
a) Front Skid Block - **Unmounted**



b) Front Skid Block - **Unmounted**



c) Skid Block - **Main Dimensions**



4. AXLE AND SUSPENSION

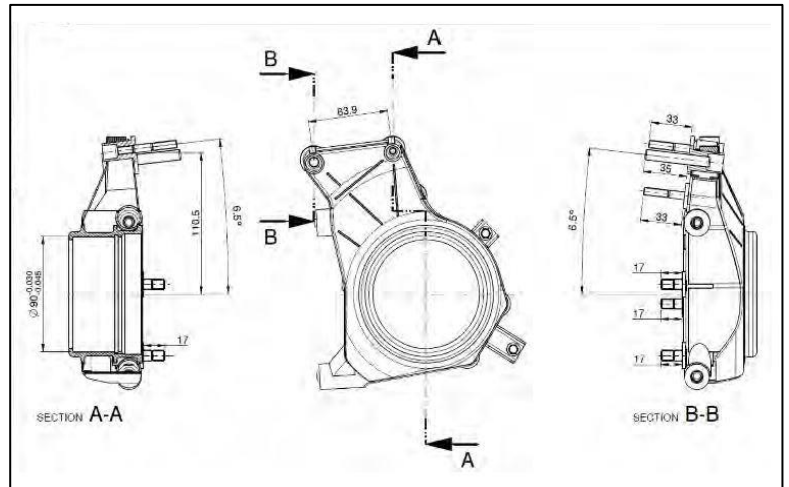
401 FRONT UPRIGHT

- a) Nominal Weight: As supplied
- b) Comment: Stud length may not be modified. Homologated wheel speed trigger only mandatory when marshalling system is being used.

Front Upright Assembly - **Unmounted**



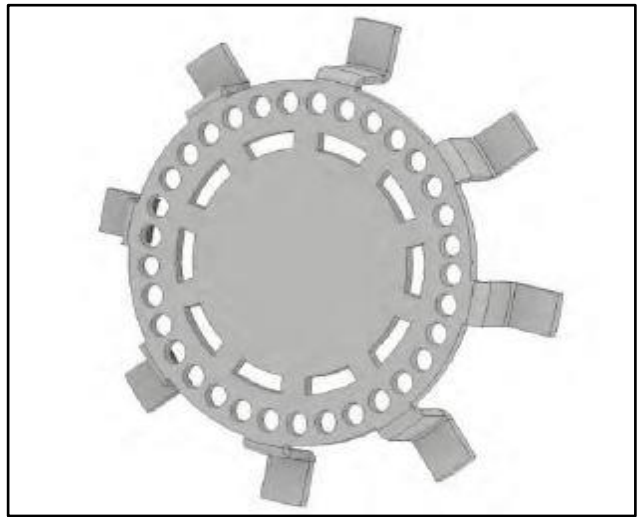
Front Upright - **Main Dimensions**



Front Upright - **As Weighed**



Wheel Speed Trigger - **Unmounted**



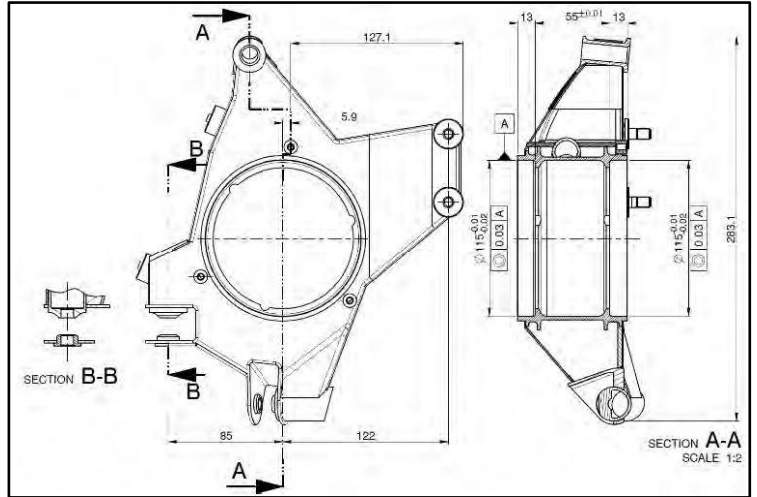
402 REAR UPRIGHT

- a) Nominal Weight: As supplied
- b) Comment: Stud length may not be modified.

Rear Upright Assembly - Unmounted



Rear Upright - Main Dimensions



Front Upright - As Weighed



403 FRONT BRAKE DUCT (OPTIONAL)

- a) Nominal Weight: As supplied
- b) Comment: Fixation studs free following the technical regulations. Opening of cooling duct may be reduced or closed with tape, any other openings may not be closed.

Front Brake Duct - **Unmounted**



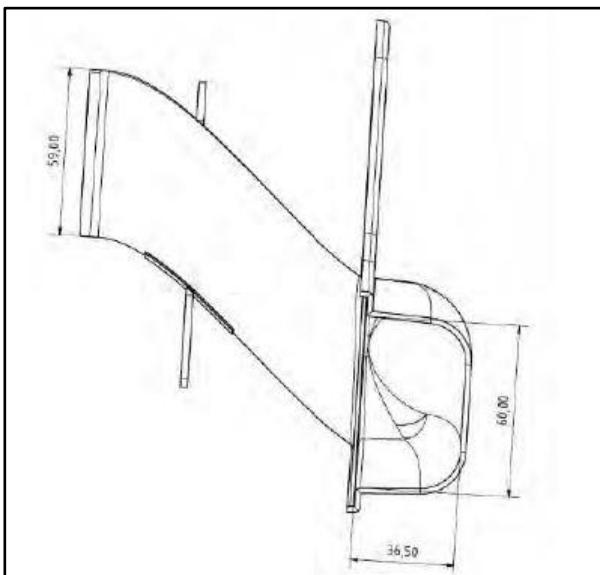
Front Brake Duct - **Unmounted**



Front Brake Duct - **Unmounted**



Front Brake Duct – **Main Dimensions**



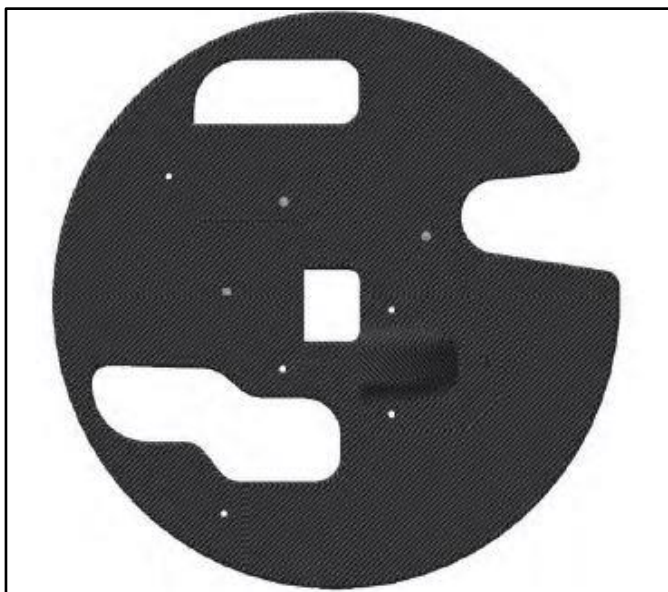
404 REAR BRAKE DUCT (OPTIONAL)

- a) Nominal Weight: As originally supplied
- b) Comment: Fixation studs free following the technical regulations.
May be used without cooling duct (in this case additional fixation holes may be added).
Opening of cooling duct may be reduced or closed with tape, any other openings may not be closed.

Rear Brake Duct - **Unmounted**



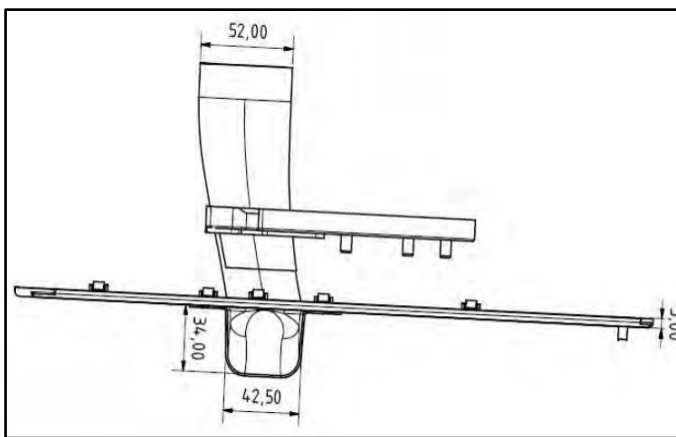
Rear Brake Duct - **Unmounted**



Rear Brake Duct - **Unmounted**



Rear Brake Duct - **Main Dimensions**



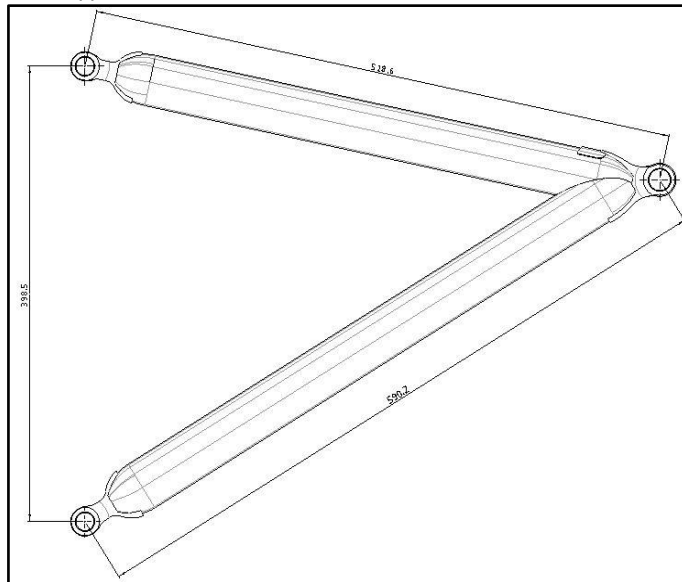
405 FRONT UPPER WISHBONE

a) Nominal Weight: 1,082 [kg]

Front Upper Wishbone - **Unmounted**



Front Upper Wishbone - **Main Dimensions**



406 FRONT LOWER WISHBONE

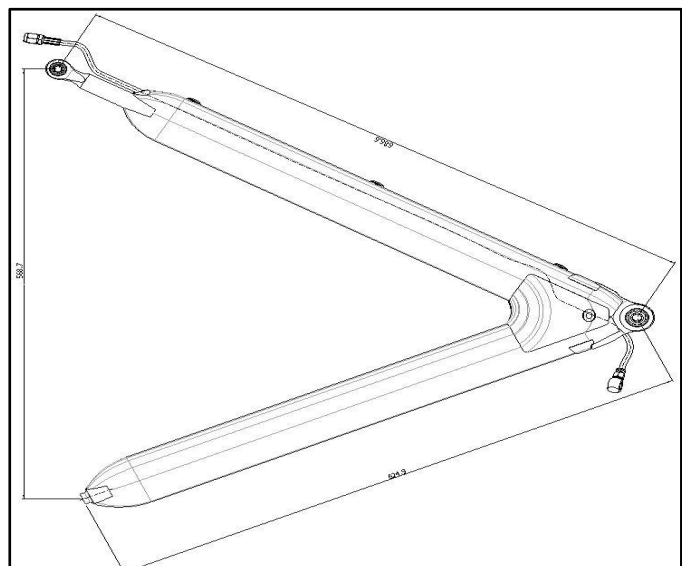
a) Nominal Weight: 1,920 [kg]

b) Comment: Welded washers may be removed

Front Lower Wishbone - **Unmounted**



Front Lower Wishbone - **Main Dimensions**



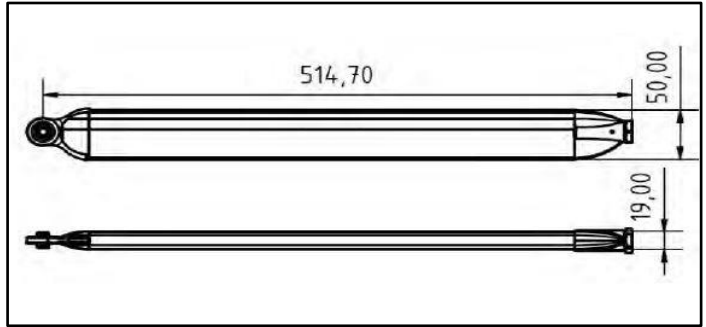
407 PUSHROD FRONT

a) Nominal Weight: 0,705 [kg]

Pushrod front - **Unmounted**



Pushrod front - **Main Dimensions**



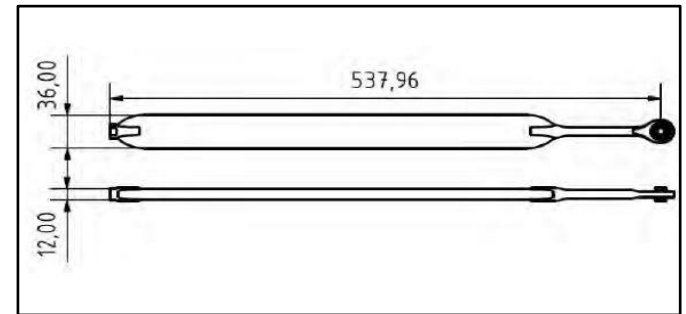
408 TRACK ROD FRONT

a) Nominal Weight: 0,401 [kg]

Track Rod Front - **Unmounted**



Track Rod Front - **Main Dimensions**

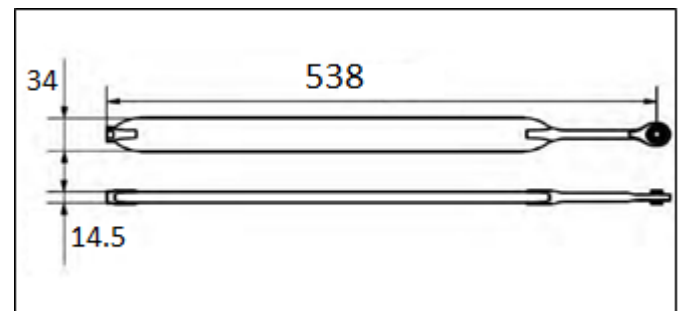


b) Nominal Weight: 0,395 [kg]

Track Rod Front - **Unmounted**



Track Rod Front - **Main Dimensions**



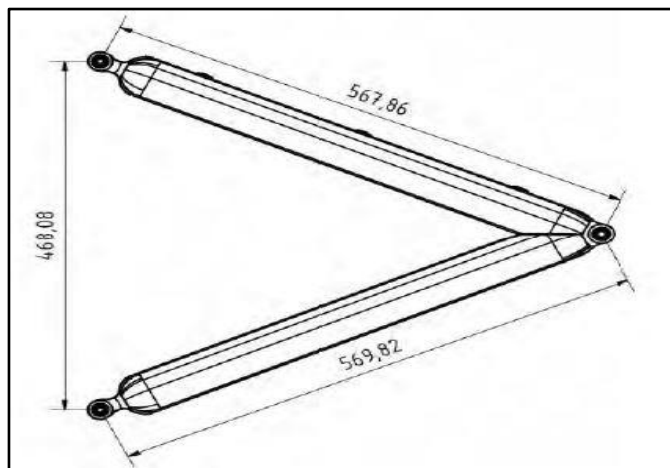
409 REAR UPPER WISHBONE

- a) Nominal Weight: 1,280 [kg]
- b) Comment: Welded washers may be removed

Rear Upper Wishbone - **Unmounted**



Rear Upper Wishbone - **Main Dimensions**



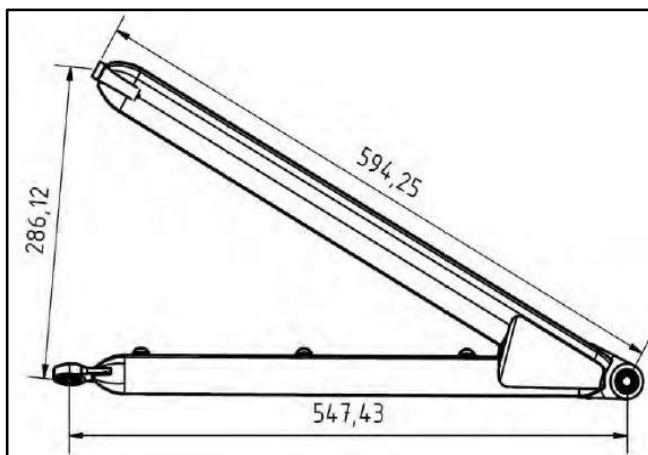
410 REAR LOWER WISHBONE

- a) Nominal Weight: 1,262 [kg] / New specification 1,276 [kg]
- b) Comment: Welded washers may be removed.
- c) Comment: Rear leg has been reinforced in the new specification

Rear Lower Wishbone - **Unmounted**



Rear Lower Wishbone - **Main Dimensions**



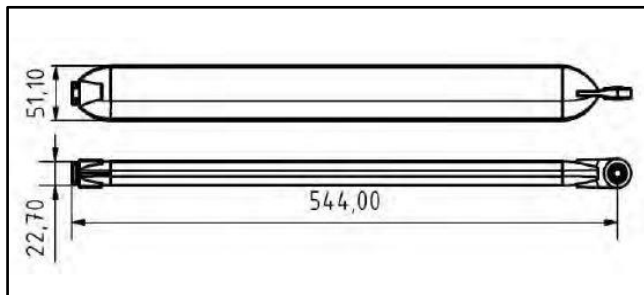
411 PUSHROD REAR

a) Nominal Weight: 0,798 [kg]

Rear Pushrod - **Unmounted**



Rear Pushrod - **Main Dimensions**



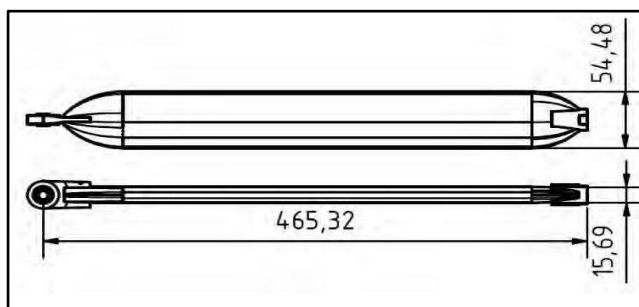
412 TRACK ROD REAR

a) Nominal Weight: 0,538 [kg]

Track Rear Rear - **Unmounted**



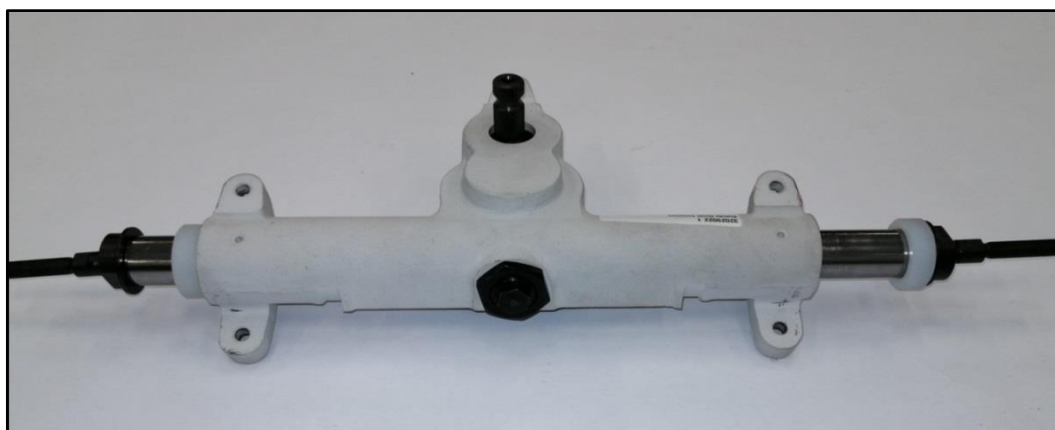
Track Rod Rear - **Main Dimensions**



501 STEERING RACK

a) Nominal Weight: 1,950 [kg]

Steering Rack - **Unmounted**



502 STEERING COLUMN

a) Nominal Weight: standard 1,150 [kg], for EPS installation 1,350 [kg]

b) Comment: 317 Part code 31212A003 may also be used

Steering Column - **Unmounted**



Steering Column EPS (electric power steering) - **Unmounted**



6. FUEL SYSTEM

601 FUEL TANK

- a) Manufacturer: Merin S.r.l.
- b) Capacity: 45 [l]
- c) Homologation Certificate SFT 5030.1

Fuel Tank



Fuel Tank



Fuel Tank



FIA Fuel Tank Homologation



602 FUEL PUMP ASSEMBLY

- a) Fuel pump can be run off either side of the pump switch
- b) Fuel pump specification permitted:
 - a. FCOM1540 (PREMIER PN: 0700-0105) and FCOM1582 (PREMIER PN: 0700-0101)
Nominal weight: 0.17 [g]

Fuel pump - **Unmounted**



- b. ATL PN: PU-AC-020
Nominal weight: 0.17 [g]

Fuel pump - **Unmounted**

